

CHARGER SOURCE SLIM 10A



USER MANUAL

PRESENTATION

The Charger Source is a source that makes it possible to charge and power automotive battery (s). Provides a maximum current output of 10A, operates in two 14.4V or Auto SCI modes for sources with a display and 14.4V for a source without a display.

CHARGER SOURCES 10A WITH DISPLAY

Auto SCI function: Intelligent charging system that increases efficiency in the accumulation of battery charge, extending its useful life.

It has a digital display to monitor voltage or current or accumulated charge and LEDs indicating battery level and full charge.

TYPES OF READING

Voltage: Informs the voltage sent to the system.

Current: Shows the current consumed by the system.

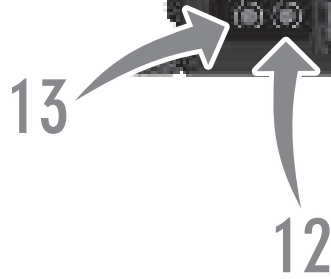
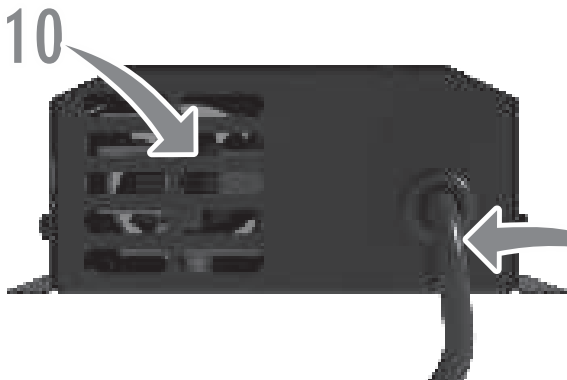
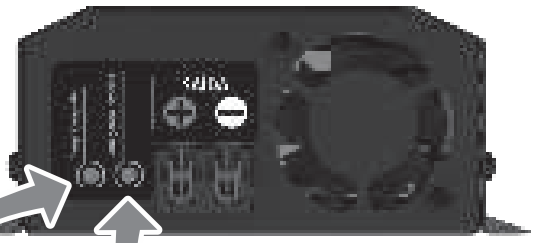
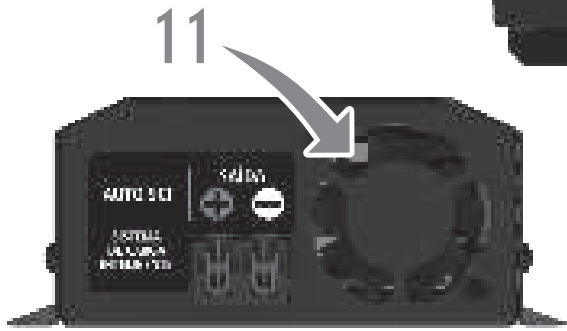
Ampere Hour Counter: Informs how much charge has been accumulated by the battery during the charging cycle, with this reading it is possible to know if the battery is in good working order.

The counter can be reset by holding the Read key for 5 seconds. Upon reaching 999 it must be reset to continue reading the accumulated charge in the battery.

OPERATING MODES

14.4V: Maintains the source operating with the output voltage at 14.4V.

Auto SCI: Allows the source output to operate at 14.4V when the system requires more power. In fluctuation it operates with the output voltage in cycles of 13.8V for 5 minutes and 14.4V for 10 seconds. This system prevents excessive elevation of the plates' potential, a chemical phenomenon caused by load stress, which reduces the useful life and efficiency of the batteries.



DESCRIPTIONS

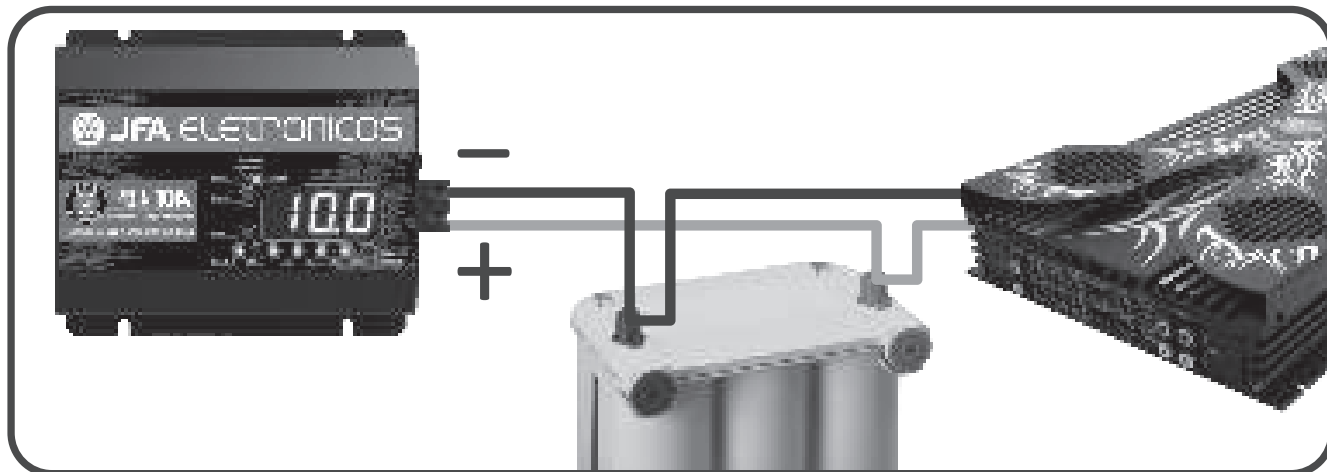
- 1 - Leds that indicate the monitoring of the Voltage or Current or Ampere Hour Counter "2 led accesses";
- 2 - Voltage or Current reading mode selector switch or Ampere Hour Counter;
- 3 - Voltage mode selector switch 14.4V or Auto SCI;
- 4 - LEDs indicating voltage 14.4V or Auto SCI;
- 5 - Battery charge indicator LEDs;
- 6 - Led full charge indicator
- 7 - Voltage or Current monitor display or Ampere Hour Counter;
- 8 - Power input worm
- 9 - Output connector;
- 10 - Air outlet (never obstruct);
- 11 - Air intake (never obstruct);
- 12 - Led charge indicator (image of the source without display);
- 13 - Led indicator full charge (image of the source without display).

IMPORTANT TIPS

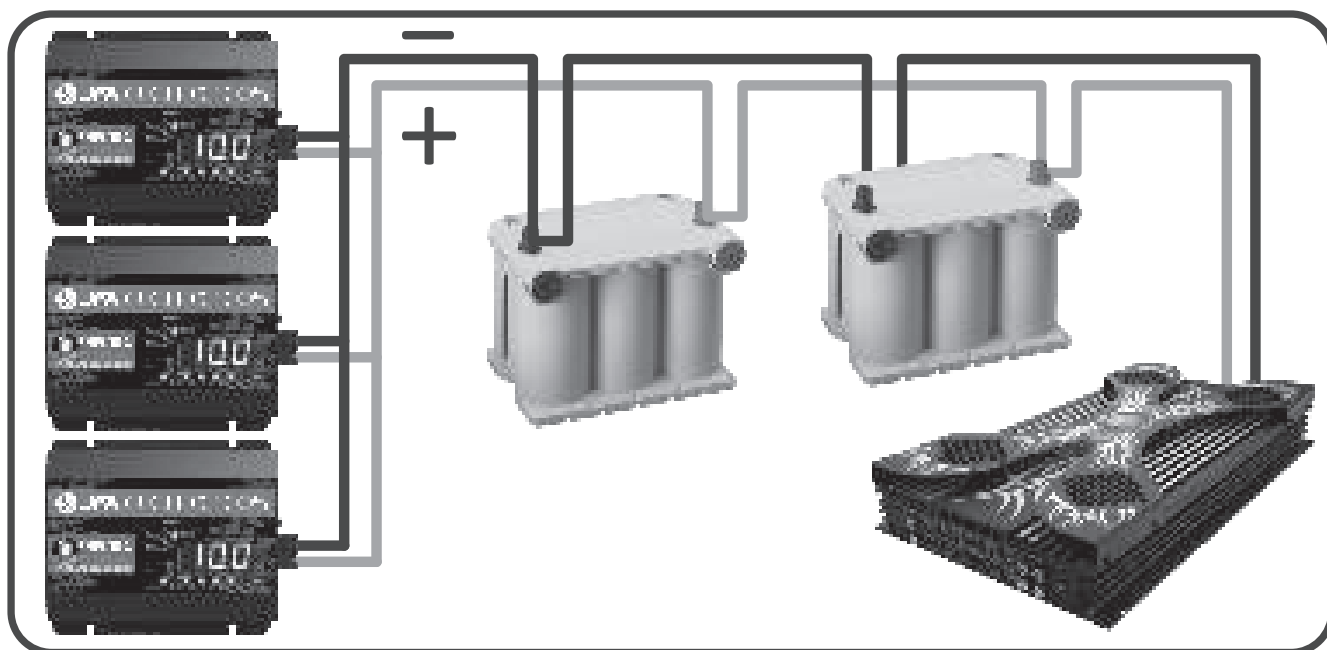
- 1- Whenever using the sound, charge the batteries until the Source charge indicator shows full charge. This means that the batteries will be 100% charged. The charging process does not damage the batteries, because when they are fully charged, the Source goes into float mode.
- 2- We advise that when using the sound, immediately connect the Source. Do not wait for the batteries to discharge before doing so.
- 3- Use one outlet per equipment. The 10A power supply consumes about 140W of the power grid.
- 4- Use a 2.5mm² cable at the outlet.
- 5 - Do not install in environments with a lot of vibration, such as speakers.

CONNECTION DIAGRAM

The Fonte 10A can feed about 500 Wrms of sound, as long as it uses a battery in parallel to supply the consumption peaks.



You can use as many 10A Sources as necessary to feed the sound, having as reference that each one maintains about 500 Wrms of sound, it is important to note that for this the operation mode must be the same in all sources that are in parallel (eg: all in 14.4V mode or all in Auto SCI). With this modular system, it is possible to choose how many equipment to connect and thus adapt it to the capacity of the electrical network. This situation occurs mainly when using local energy generators. This way, you will turn on the amount of equipment that the generator can supply.



TECHNICAL SPECIFICATIONS SOURCE 10A SLIM

Network input	85 to 240Vac
Consumption with maximum load	140W
Maximum output current	10 Amps
Maximum output voltage	14.4 Vdc
Intelligent charging system (Display version only)	13.8 / 14.4 cyclic
Voltmeter accuracy (Display version only)	99%
Ammeter accuracy (Display version only)	96%
Cooling	Forced
Protections	Overload Internal fuse 5A Output short
Dimensions W x H x D (mm)	130 x 115 x 48
Weight Kg	0.645



See all products of the automotive line
on our website.

www.jfaeletronicos.com